

GPT-4632 | -4633

GeBE-PIANO®

Highlights at first sight:

- thermal printer with cutter in aluminium plastic housing
- for vouchers, tickets and validation, paper thickness up to 220 µm
- ideal for graphics and bar codes in high quality print of 203 dpi with speed up to 200 mm/s
- adjustable paper width 51-60 mm, resp. 54-82.5
- exact print positioning controlled by black marks
- model version with formular mode and FGL support for free ticket designing
- 24 VDC power supply, optional independent battery-supplied operation

The GeBE-PIANO

The GeBE-PIANO (GPT-4632, -4633) in a plastic framed aluminium housing is primarily used as thermal desktop printer. It is also mountable, e.g. from below in a table plate. Its heavy duty printer mechanism is extremely robust and the integrated cutter allows up to 2 mio. cuts of paper up to 220 µm. Black marks control the accurate cutting at ticket end. Also tear-off at a precast perforation is possible. Optionally the printer can be operated power supply independent through a rechargeable battery.

The paper width is adjustable from 51 to 60 mm, resp. 54 to 82.5 mm. The printer processes single tickets from the roll or a leporello pile. With the high resolution of 300 dpi, pin sharp print layouts will be achieved. The model version with FGL support allows free ticket designing.

The GeBE-PIANO Mini GPT-4632, is able to store 8 different patterns (logo, graphics, text, etc.) directly in the printer, selectable through an integrated mode switch. The printer can be operated in a temperature range of -10°C to +60°C.

Typical application

Vouchers for e.g. sport events, cinema, theater, concerts / ticket printing in parking decks, swimming halls / validation for e.g. parking time crediting for shopping centers

Accessories

- paper roll holder for roll diameter 145/185 mm (art. no. 13230 / 13140)
- paper exit sensor (art. no. 13300)
- black mark sensor for BOCA detection (art. no. 13314)
- selection of preprinted standard tickets (art. no. 13166 / 13182 / 13284)

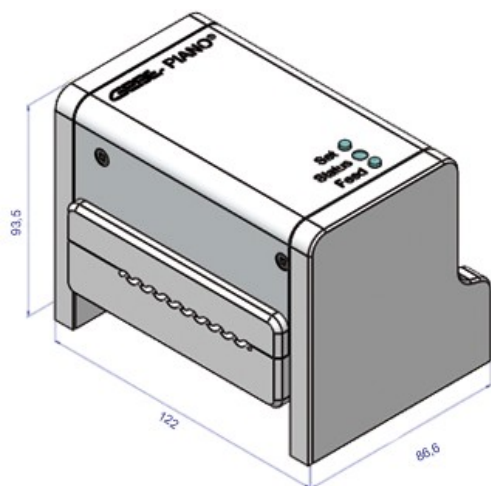
Drivers

The printer controller GCT-4692 will be supported by following drivers:

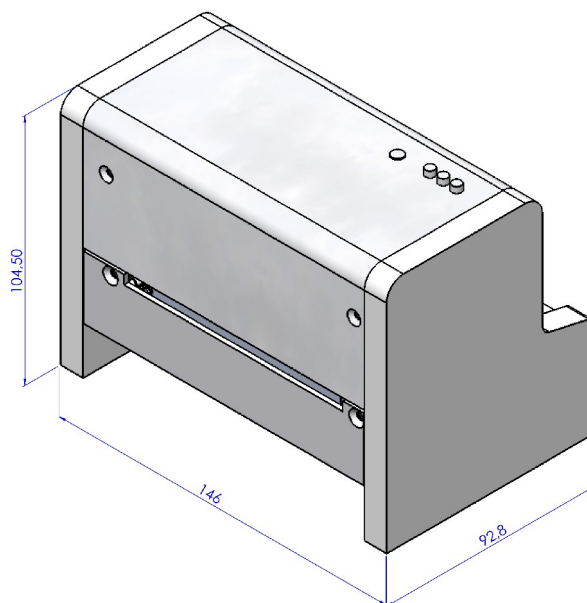
Windows® CE.Net 4.2, 5.0, 6.0, 7.0 and Windows® 2000, XP, Vista, 7, 8, 8.1

Unix via Cups for Linux and Mac OS

Technical drawings



Drawing 1: GeBE-PIANO Mini for paper widths 51-60 mm



Drawing 2: GeBE-PIANO for paper widths 58-82.5 mm

Technical data details

	GPT-4632	GPT-4633
Insert paper	Auto paper loading	Auto paper loading
Print procedure	Thermal direct print	Thermal direct print
Resolution	8 dots/mm (203dpi), 448 dots/line	8 dots/mm (203dpi), 640 dots/line
Print speed	max. 200 mm/s	max. 200 mm/s
Paper / print width	51, 54, 60 / max. 58 mm	54, 58, 60, 63.5, 68, 76.2, 82.5 / max. 80 mm
Paper thickness	80 - 220 µm	80 - 220 µm
Supply voltage	24 V DC	24 V DC
Max. current during print	Adjustable via command 3 – 12 A	Adjustable via command 3 – 12 A
Current consumption during standby	80 mA	80 mA
Available interfaces	USB	USB
Fonts	IBM II 28, 56 characters/line, upgradeable	IBM II 40, 80 characters/line, upgradeable
Bar code	Code 39, 2of5 int., EAN13 optional: Code 128c, PDF 417	Code 39, 2of5 int., EAN13 optional: Code 128c, PDF 417
MTBF*)	150 km / 2 mio. cuts	150 km / 2 mio. cuts
Dimensions	122 x 86.6 x 93.5 mm	146 x 92.8 x 104.5 mm
Weight	660 g incl. paper roll	985 g incl. paper roll
Paper roll diameter	max. 185 mm	max. 185 mm
Housing	PS and aluminium	PS and aluminium
Environment	-10° C - +60° C with specified paper	-10° C - +60° C with specified paper

*) Life cycle according to mechanism testing conditions of the manufacturer with specified paper only. Please inquire. The life cycle of the print head is an averaged expectable performance and no guaranteed data. Under optimum conditions, the above listed data can be achieved using specified paper according to our documentation KI-605.

The GeBE logo is a registered trademark of GeBE Elektronik und Feinwerktechnik GmbH. All other brands named in this brochure are properties of the respective companies. The technical data given are non-committal information and do not represent any assurance of certain features. Errors and changes reserved. This technical documentation is only valid until release of a revision. Please always request the newest documentation edition.

Our terms of payment and delivery apply.

Copyright © 2015 GeBE Elektronik und Feinwerktechnik GmbH.

All rights reserved.