

MPP6700 series

-

PANEL MOUNT PRINTERS



MPP6700	5-8Vdc, 4A peak
MPP6710	5-8Vdc, 2A peak
MPP6720	10-35Vdc

Features

- Fast-Open paper feature
- High resolution thermal printing
- 5-8Vdc standard, 10-35Vdc / low power options
- Panel screw mount
- Quiet, non-impact system
- Maintenance-free
- Compact and light weight
- High reliability
- Versatile, for use with text or graphics
- 12, 16, 24, 32 or 48 characters per line
- Suitable for paper and label printing
- Windows driver for Win 7 / Vista / XP and 2000
- Linux and WinCE 5.0 / 6.0 drivers available
- 32mm diameter paper roll support

Options

- Interface—RS232, RS485, TTL, USB, Parallel
- Bezel—Black, Off White, Custom
- Alternative PCB Connectors—Molex KK, 43xxx and Molex 51021

Introduction

The MPP6700 Series is from the latest range of Martel printers, comprising compact thermal panel mount printers incorporating a fixed head mechanism with “Fast-Open” paper feature, setting new performance standards for panel-mount units, with a selection of standard options and customisable features.

Designed for maximum versatility, the MPP6700 Series are capable of many different modes of operation. Numerous international character sets and barcodes are selectable and the printers have RS232 serial as standard, with USB, RS485, TTL and parallel interfaces as factory options. With flash upgrade capability as standard, it provides a flexible method of remotely updating the printer firmware for new customer requirements or requests with minimal delay

Power supply options include a single 5-8Vdc (standard) or 10-35Vdc supply giving fast, high resolution printing whilst a low current version is also available.

Paper changing is simplified by the use of a hinged front to the robust moulded enclosure incorporating a detachable roller facilitating the “Fast-Open” functionality.

Martel manufactures a wide range of cased and compact panel printers and we would be pleased to discuss the possibility of customising any aspect of the printer to your specific requirements.

Product Data Sheet

MPP6700

Page 2 of 12

SPECIFICATION

General

Printing system	Direct thermal line head
Max Characters per line	48, 32, 24(default), 16 and 12
Character matrix	8x24, 12x24 or 16x24
Character size	3mm x 2mm, 3mm x 1.5mm or 3mm x 1mm (Approx. 13, 17 or 25cpi)
Horizontal dot pitch	0.125mm (Approx. 200dpi)
Vertical dot pitch	0.125mm
Text line composition	384x24 dots
Printing width	48mm

Average printing speed

MPP6700/MPP6720	10 lines of text per second (max)
MPP6710	2 lines of text per second (max)

Power supply

MPP6700/MPP6710	5-8 Vdc
MPP6720	10-35Vdc

Current consumption

MPP6700	4A peak
MPP6710	2A Peak
MPP6720	2.7A @ 10V, 1.75A @ 15V, 1.5A @ 20V, 1.2A @ 25V, 1.1A @ 30V, 1A @ 35V peak

Paper and language support

Paper width	58mm
Paper capacity	32mm diameter
Character set	UK / United States (437)
Country codes	USA, France, Germany, UK, Denmark I/II, Sweden, Italy, Japan, Norway, Spain I.

Data and Interface

USB	USB v2.0
Serial	
Data format	RS232 (Default, 1 Start, 8 Data, 1 Stop, No Parity)
Baud rates	300, 600, 1200, 2400, 4800, 9600 & 19200, 38400, 57600 & 115200
Handshaking	Hardware (CTS line) or Software (XON/XOFF)
Parallel	
Input Data Format	8 bit Centronics
Handshaking	STROBE and BUSY
Buffer size	5 Kbytes

Dimensions

MPP6700 series	83mm x 85.1mm x 31mm (WxHxD)
MPP6720	83mm x 85.1mm x 49mm (WxHxD)
Panel cut-out	78 x 81.5mm

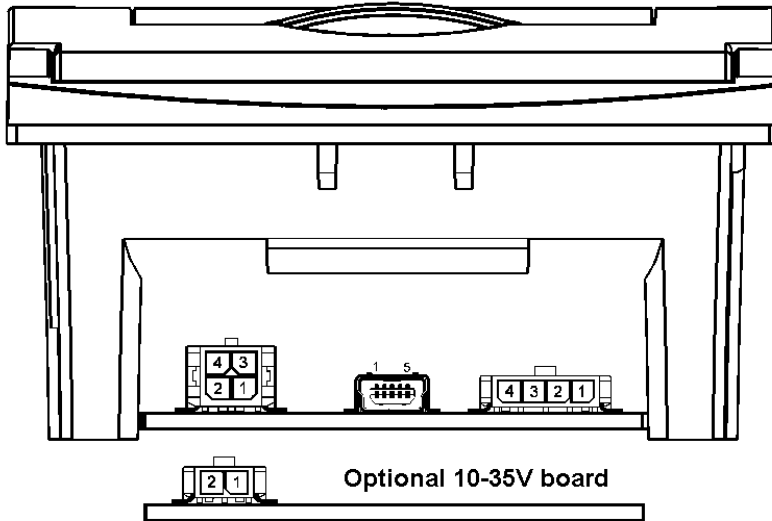
Product Data Sheet

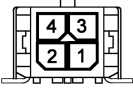
MPP6700

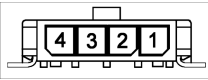
ELECTRICAL CONNECTIONS

Page 3 of 12


Standard Connectors (Molex 43xxx Series)



RS232 Connector	
Pin No	
1	RXD In
2	TxD Out
3	CTS
4	GND

5V Power / Takeup Spool Connector	
Pin No	
1	0V
2	5-8Vdc (not for 10-35V)
3	Paper take up power
4	Paper take up drive

Connectors	Receptacle	Crimp (and quantity)
RS232	43025-0400	43030-0007 (4 off)
USB	USB Mini B	N/A
5V Power / Paper Takeup	43645-0400	43030-0007 (4 off)
10-35V Power	43645-0200	43030-0007 (2 off)

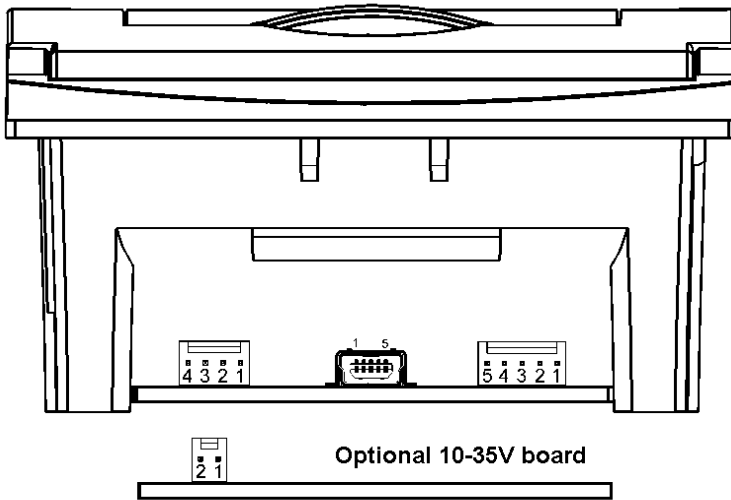
10-35V Power Connector (option)	
Pin No	
1	0V
2	10-35Vdc

Product Data Sheet

MPP6700

ELECTRICAL CONNECTIONS

Factory Option Connectors (Molex KK Series)



Connectors	Receptacle	Crimp (and quantity)
RS232	2201-2045	0850-0032 (4 off)
USB	USB Mini B	N/A
5V Power / Paper Takeup	2201-2055	0850-0032 (5 off)
10-35V Power	2201-2025	0850-0032 (2 off)

RS232 Connector	
Pin No	
1	RXD In
2	TxD Out
3	CTS
4	GND

5V Power / Takeup Spool Connector	
Pin No	
1	0V
2	0V
3	5-8Vdc (not for 10-35V)
4	Paper take up power
5	Paper take up drive

10-35V Power Connector (option)	
Pin No	
1	0V
2	10-35Vdc

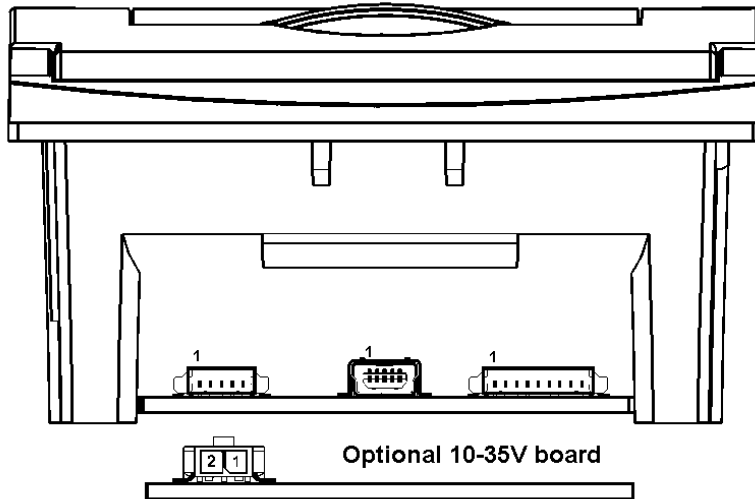
Product Data Sheet

MPP6700

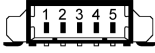
ELECTRICAL CONNECTIONS


Page 5 of 12


Factory Option Connectors (Molex 51xxx Series)



Connectors	Receptacle	Crimp (and quantity)
RS232	51021-0500	50058 or 50079 (4 off)
USB	USB Mini B	N/A
5V Power	51021-0900	50058 or 50079 (9 off)
10-35V Power	43645-0200	43030-0007 (2 off)

RS232 Connector	
Pin No	
1	GND
2	TxD Out
3	RXD In
4	CTS
5	N/C

5V Power / Takeup Spool Connector	
Pin No	
1	0V
2	0V
3	0V
4	0V
5	0V
6	5-8Vdc (not for 10-35V)
7	5-8Vdc (not for 10-35V)
8	5-8Vdc (not for 10-35V)
9	5-8Vdc (not for 10-35V)

10-35V Power Connector (option)	
Pin No	
1	0V
2	10-35Vdc

Product Data Sheet

MPP6700

Configuration & Setup

Page 6 of 12

The printer incorporates a number of configurable *options*, each of which has a number of *settings*. The default settings of the standard printer are detailed in the table below in bold. To change the setting of any option, follow the procedure below:

1. Ensure the printer is OFF.
2. Press and hold the Mode button whilst powering the printer ON. After about five seconds, the Status light will flash five times to show that the printer is in *configuration mode*. Release the Mode button.
3. Press the Mode button the same number of times as the *option* that you wish to change (for example to change baud rate, press the Mode button twice).
4. After a short delay, the Status light will flash the same number of times as the option that you have chosen. If you have made a mistake at this stage, simply wait: after a delay, the printer will power-on without changing any options.
5. To proceed with configuration, press the Mode button the same number of times as the *setting* that you wish to make (for example, to set the baud rate to 19200, press the Mode button four times).
6. After a short delay, the Status light will flash the same number of times as the setting that you have made.
7. After a further delay, the printer will power-on with the new setting.

	Option	Setting Number(default in bold)	Setting (default in bold)
1	RS232 Protocol	1	8, No parity
		2	8, Odd parity
		3	8, Even parity
		4	7, Odd, parity
		5	7, Even Parity
2	RS232 Baud Rate	1	115200 baud
		2	57600 baud
		3	38400 baud
		4	19200 baud
		5	9600 baud
		6	4800 baud
		7	2400 baud
		8	1200 baud
		9	600 baud
		10	300 baud
3	RS232 Handshake	1	None
		2	Software
		3	Hardware

Product Data Sheet

MPP6700

Configuration & Setup

Page 7 of 12

4	Default Font	1	Arial 16, 24 CPL
		2	Arial 12, 32 CPL
		3	Arial 8, 48 CPL
5	Character Format	1	Normal
		2	Double Width
		3	Double Height
		4	Double Width and Height
6	Print Density	1	Lowest
		2	
		3	
		4	Highest
7	Printer Current	1	Highest
		2	
		3	
		4	Lowest
8	Print Format	1	Standard paper, normal printing
		2	Standard paper, upside down printing
		3	Labels, normal printing
		4	Labels, upside down printing

Software Selectable Functions

Underline	11 selectable international character sets
Double height	Reverse printing
Double width	Inverse printing
Graphics	Reset
Horizontal tab, plus setting	Barcodes
Form feed, plus setting	

Control Codes and Escape Sequences

Function	Code	Decimal	Hex
Horizontal tab	HT	9	09
Line feed	LF	10	0A
Form feed	FF	12	0C
Carriage return	CR	13	0D
Double width on	SO	14	0E
Double width off	SI	15	0F
Cancel	CAN	24	18
Set print mode	ESC ! <i>n</i>	27 33 <i>n</i>	1B 21 <i>n</i>
Set barcode start position	ESC \$ <i>n1 n2</i>	27 36 <i>n1 n2</i>	1B 24 <i>n1 n2</i>
Set bit image (8 pin single density)	ESC * 0 <i>n1 n2 [d]</i>	27 42 0 <i>n1 n2 [d]</i>	1B 2A 00 <i>n1 n2 [d]</i>
Set bit image (8 pin double density)	ESC * 1 <i>n1 n2 [d]</i>	27 42 1 <i>n1 n2 [d]</i>	1B 2A 01 <i>n1 n2 [d]</i>
Set bit image (24 pin single density)	ESC * 32 <i>n1 n2 [d]</i>	27 42 32 <i>n1 n2 [d]</i>	1B 2A 20 <i>n1 n2 [d]</i>
Set bit image (24 pin double density)	ESC * 33 <i>n1 n2 [d]</i>	27 42 33 <i>n1 n2 [d]</i>	1B 2A 21 <i>n1 n2 [d]</i>
Underline on	ESC - 1	27 45 1	1B 2D 01
Underline off	ESC - 0	27 45 0	1B 2D 00
Reset	ESC @	27 64	1B 40
Set page length	ESC C <i>n</i>	27 67 <i>n</i>	1B 43 <i>n</i>
Set horizontal tabs	ESC D <i>n</i>	27 68 <i>n</i>	1B 44 <i>n</i>
Bold on	ESC G	27 71	1B 47
Bold off	ESC H	27 72	1B 48
Set bit image	ESC K <i>n1 n2 [d]</i>	27 75 <i>n1 n2 [d]</i>	1B 4B <i>n1 n2 [d]</i>
Country select	ESC R <i>n</i>	27 82 <i>n</i>	1B 52 <i>n</i>
Set black line recognition	ESC L	22 76	1B 4C
Double width on	ESC W 1	27 87 1	1B 57 01
Double width off	ESC W 0	27 87 0	1B 57 00
Compressed bit image graphics	ESC Z <i>n1 [d1] ... n24 [d24]</i>	27 90 <i>n1 [d1] ... n24 [d24]</i>	1B 5A <i>n1 [d1] ... n24 [d24]</i>
Print & feed paper	ESC d <i>n</i>	27 100 <i>n</i>	1B 64 <i>n</i>
Reversed on	ESC i 1	27 105 1	1B 69 01
Feed to start of next label	ESC f	27 102	1B 66
Reversed off	ESC i 0	27 105 0	1B 69 00
Send Printer Status	ESC v	27 119	1B 76
Double height on	ESC w 1	27 119 1	1B 77 01
Double height off	ESC w 0	27 119 0	1B 77 00
Inverse on	ESC { 1	27 123 1	1B 7B 01
Inverse off	ESC { 0	27 123 0	1B 7B 00
Set barcode height (1 ≤ <i>n</i> ≤ 255)	GS h <i>n</i>	29 104 <i>n</i>	1D 68 <i>n</i>
Print UPC-A barcode	GS k 0 [<i>d</i>] NULL	29 107 0 [<i>d</i>] 0	1D 6B 00 [<i>d</i>] 00
Print UCP-E barcode	GS k 1 [<i>d</i>] NULL	29 107 1 [<i>d</i>] 0	1D 6B 01 [<i>d</i>] 00
Print EAN13 barcode	GS k 2 [<i>d</i>] NULL	29 107 2 [<i>d</i>] 0	1D 6B 02 [<i>d</i>] 00
Print EAN8 barcode	GS k 3 [<i>d</i>] NULL	29 107 3 [<i>d</i>] 0	1D 6B 03 [<i>d</i>] 00
Print Code 39 barcode	GS k 4 [<i>d</i>] NULL	29 107 4 [<i>d</i>] 0	1D 6B 04 [<i>d</i>] 00
Print 2 of 5 barcode	GS k 5 [<i>d</i>] NULL	29 107 5 [<i>d</i>] 0	1D 6B 05 [<i>d</i>] 00
Print Codabar barcode	GS k 6 [<i>d</i>] NULL	29 107 6 [<i>d</i>] 0	1D 6B 06 [<i>d</i>] 00
Print CODE128 barcode	GS k 7 <i>n [d]</i>	29 107 7 <i>n [d]</i>	1D 6B 07 <i>n [d]</i>
Set barcode magnification (2 ≤ <i>n</i> ≤ 4)	GS w <i>n</i>	29 119 <i>n</i>	1D 77 <i>n</i>

Product Data Sheet

MPP6700

Control codes

Page 9 of 12

International Character Sets

Country	Code	Decimal	Hex
USA	ESC R 0	27 82 0	1B 52 00
France	ESC R 1	27 82 1	1B 52 01
Germany	ESC R 2	27 82 2	1B 52 02
UK	ESC R 3	27 82 3	1B 52 03
Denmark I	ESC R 4	27 82 4	1B 52 04
Sweden	ESC R 5	27 82 5	1B 52 05
Italy	ESC R 6	27 82 6	1B 52 06
Spain	ESC R 7	27 82 7	1B 52 07
Japan	ESC R 8	27 82 8	1B 52 08
Norway	ESC R 9	27 82 9	1B 52 09
Denmark II	ESC R 10	27 82 10	1B 52 0A

Print Mode (ESC!)

Bit	Function	0	1
0	Character font		
1	(see below)		
2	Print density		
3	(see below)		
4	Double height	Cancelled	Set
5	Double width	Cancelled	Set
6	Undefined		
7	Underline	Cancelled	Set

Print Density

	Bit 3	Bit 2
Light 1 (Default)	0	0
2	0	1
3	1	0
Dark 4	1	1

Send Printer Status (ESC v)

Bit	Function	0	1
2	Paper Out	False	True

Character Font

	Bit 1	Bit 0
24 characters per line	0	0
48 characters per line	0	1
32 characters per line	1	0
Undefined	1	1

Mode Button and Status LED Operation



Mode
Button

Status
LED

Power On Self Test

The self test procedure is initiated by supplying power to the printer while the mode button is depressed. When the mode button is released a test print will be produced.

Status LED

The printer incorporates an LED indicator to report its condition. If there is a fault, the LED will flash in sequence. The fault can be identified by counting the number of flashes.

LED Indication	Condition	Solution
On	Printer On	-
Off	Printer Off	-
* * *	Paper out or door open	Fit new paper
** ** **	Thermal head too hot	Allow head to cool
*** ** **	Power low	Check power supply & connections
**** ** **	Power low	Check power supply & connections

Paper Out

The printer will automatically detect when the printer paper has run out, and report this using the Status LED. Use the Mode button to feed through the last few centimetres of paper and fit a new roll.

Product Data Sheet

MPP6700

Operation

Page 11 of 12

Head Thermal Limit

After extensive printing the print head temperature may rise to an unusable level. The Status LED will report when this occurs, and printing will be suspended until the head temperature returns to normal levels.

Paper Tear Procedure

When removing printout from the printer, pull the printout toward the tear bar and tear from one side to the other across the serrated edge. Note: paper can be torn in either direction as this printer has a double faced tear bar.

How To Open Lid

Pull the lever until the lid is released from its locked position. To avoid damage do not use excessive force.



Replacing Paper Roll

If the paper roll needs replacing, open the paper cup lid and remove the remaining paper. Reel off a few centimetres from a new roll of paper. Hold approximately 5cm of paper outside the device as you place the new roll into the reservoir. Close the lid by applying equal amounts of pressure on each side ensuring the lid is in the locked position. Now tear the spare paper away.

Paper Feed

Depressing the mode button will allow paper to be fed through the printer.

Product Data Sheet

MPP6700

Mechanical

Page 12 of 12

